

LED Netzgerät im Kunststoffgehäuse mit integrierter PFC Schaltung



Features

- PFC circuit
- low cost
- RoHS Compliance
- EMI standard EN55015:2019+A11
- Safety standard: EN61347-1:2015, EN61347-2-13:2014+A1:2017, UL8750
- Inrush current <65A AC230V/50Hz
- High efficiency & low power consumption
- Short circuit, over current and over voltage protection
- Over temperature protection
- 100% full load burn-in test
- 5 year warranty

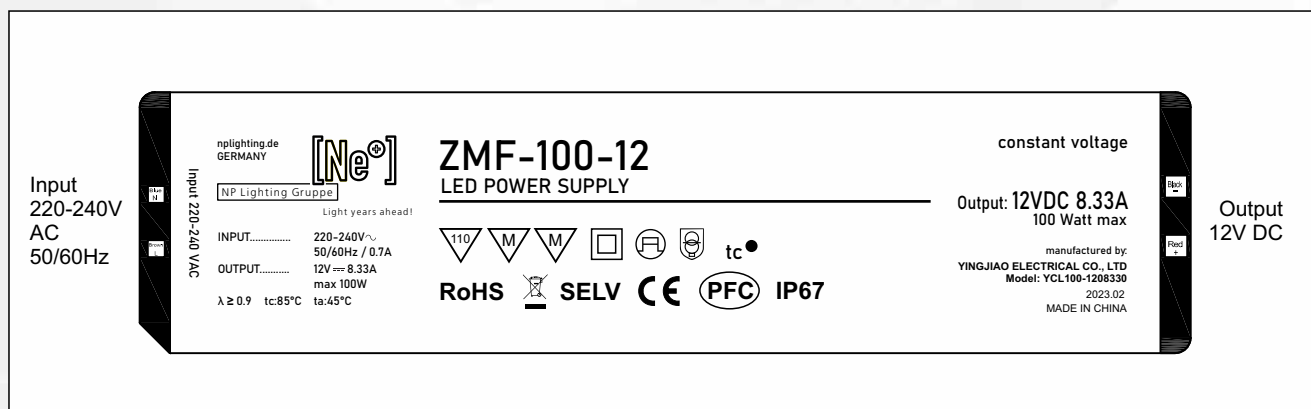
Input: 220-240V AC - 50/60Hz
Output: 12V / 24V / 36V / 48V DC
Power: 100W max.

Application

- LED strips
- LED modules
- LED indoor lighting
- LED decorative lighting
- LED architecture lighting



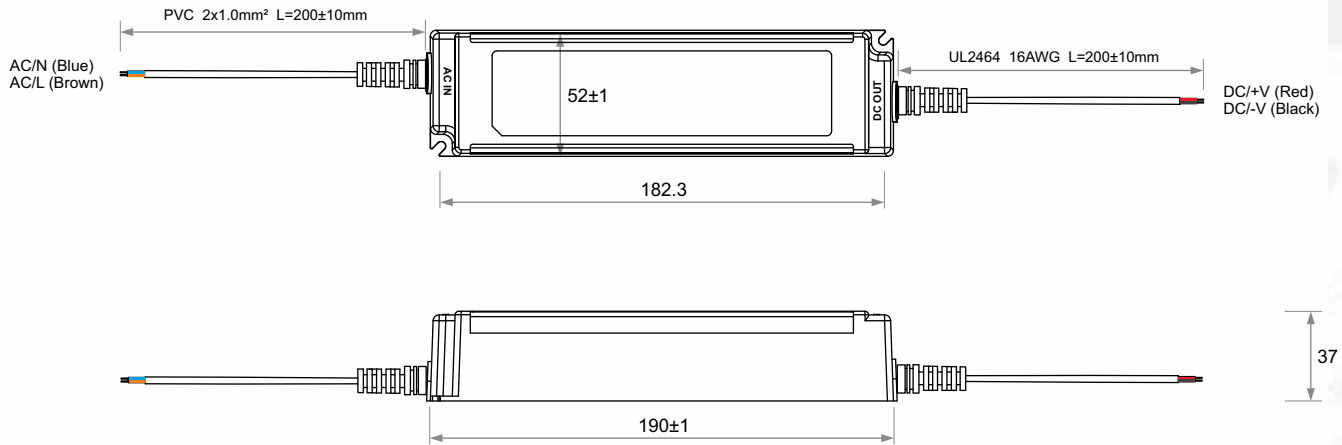
POWER SUPPLY LABEL



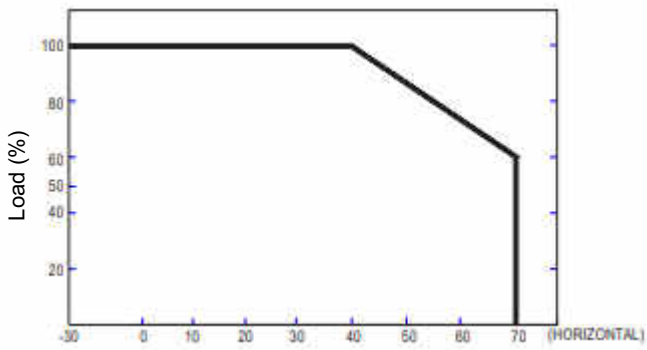
Bei den angegebenen Daten handelt es sich um ca. Angaben, technische Änderungen behalten wir uns vor.

MODEL DETAIL SPEC.		ZMF-100-12	ZMF-100-24	ZMF-100-36	ZMF-100-48
INPUT	Input Voltage:	220-240VAC			
	Input Frequency:	50/60Hz			
	Power Factor	PF \geq 0.90/230VAC			
	Inrush Current:	65A/230VAC at full load			
	AC Current:	0.7A/230VAC			
	Leakage Current:	< 0.25mA/240VAC			
	Efficiency:	88%	88%	88%	88%
OUTPUT	DC Voltage:	12V	24V	36V	48V
	Rated Current:	8330mA	4160mA	2780mA	2080mA
	Rated Power:	100W	100W	100W	100W
	Voltage Tolerance:	\pm 5.0%	\pm 5.0%	\pm 5.0%	\pm 5.0%
	Ripple and Noise:	120mVp-p	240mVp-p	380mVp-p	480mVp-p
	Line Regulation:	\pm 3%			
	Load Regulation:	\pm 5%			
	Setup, Rise, Hold Up time:	1s, 10ms/60ms 230VAC			
ENVIRONMENTAL	Operating Temperature:	-20 ~ +45 (Refer to "Derating Curve")			
	Storage Temp:	-40°C ~ 85°C			
	Storage Humidity:	20 ~ 95% RH			
	Working Humidity:	20 ~ 95% RH non-condensing			
PROTECTION	Over Load:	Above 130% rated output power Protection type: Hiccup mode, recovers automatically after fault condition is removed			
	Over Voltage:	12V:13.8 ~ 16.2V	24V:27.6 ~ 32.4V	36V:41~48.6V	48V:55.2V~64.8V
	Over Temperature:	Shut down o/p voltage, re-power on to recover			
SAFETY & EMC	Safety Regulations:	EN61347-2-13:2014+A1:2017,EN61347-1:2015;EN62493:2015			
	Withstand Voltage:	I/P-O/P:3750KVAC			
	Harmonic	EN61000-3-2 Class C EN61000-3-3			
	EMI:	Compliance to EN55015			
	EMS:	Compliance to 61547:2009			
	MTBF:	200,000 Hours Minimum at Full Load at 25°C Ambient			
	Size:	190*52*37mm			
OTHER	Weight:	610g / pcs			
	Packaging:	20PCS/CTN			

MECHANICAL SPECIFICATION

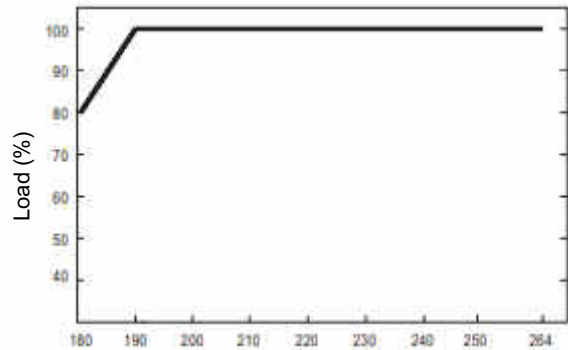


OUTPUT LOAD vs TEMPERATURE



Environment temperature (°C)

STATIC CHARACTERISTIC



Input voltage (V AC)

BLOCK DIAGRAM

